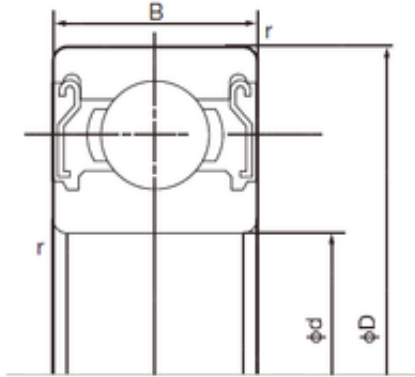




China 608rs Bearing Supplier

SKF NACHI NTN 6217zz 6218zz 6219zz
6220zz 6221zz (2RS 2Z ZZ) Engineering
Machinery Deep Groove Ball Bearings



Bearing No. 6217zz

6217zz Bearing 2D drawings and 3D CAD models

Size	85x150x28 mm
Bore Diameter	85 mm
Outer Diameter	150 mm
Width	28 mm
d	85 mm
D	150 mm
B	28 mm
C	28 mm
r min.	2 mm
da min.	95 mm
Da max.	140 mm
ra max.	2.0 mm
Weight	1.79 Kg
Basic dynamic load rating (C)	84 kN
Basic static load rating (C0)	62 kN
Category	Single Row Ball Bearings
Inventory	0.0
Manufacturer Name	NACHI
Minimum Buy Quantity	N/A
Weight / Kilogram	0
Product Group	B00308
Enclosure	2 Metal Shields
Precision Class	ABEC 1 ISO P0
Maximum Capacity / Filling	No



China 608rs Bearing Supplier

Slot	
Rolling Element	Ball Bearing
Snap Ring	No
Internal Special Features	No
Cage Material	Steel
Internal Clearance	C0-Medium
Inch - Metric	Metric
Long Description	85MM Bore; 150MM Outside Diameter; 28MM Outer Race Width; 2 Metal Shields; Ball Bearing; ABEC 1 ISO P0; No Filling Slot; No Snap Ring; No Internal Special Features; C0-Medium Internal Clearance; Ste
Other Features	Deep Groove
Category	Single Row Ball Bearing
UNSPSC	31171504
Harmonized Tariff Code	8482.10.50.68
Noun	Bearing
Keyword String	Ball
Manufacturer URL	http://www.nachiamerica.com
Bore	3.346 Inch 85 Millimeter
Outer Race Width	1.102 Inch 28 Millimeter
Inner Race Width	0 Inch 0 Millimeter
Outside Diameter	5.906 Inch 150 Millimeter
Bore Type	Cylindrical Bore
Configuration	Single Row
Bore Size	85 mm
Width	28 mm
Fillet Radius/Chamfer	2 mm
Dynamic Load Rating	84,000 N
Static Load Rating	62,000 N



China 608rs Bearing Supplier

Limiting Speed - Grease	4,300 rpm
Factor fo	14.5
Radial Clearance	0.012 to 0.036 mm
da (min)	95 mm
Da (max)	140 mm
ra (max)	2 mm